

## Assembly Instructions

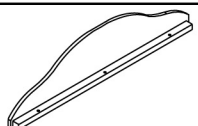
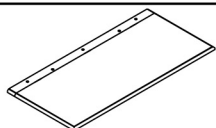
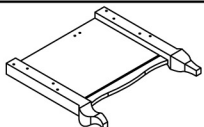
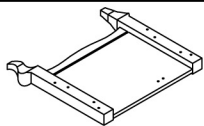
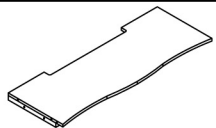
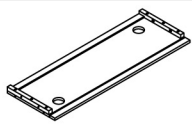
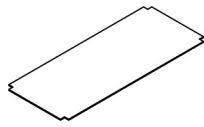
Item Number : LFY012-1(White & Pink), LFY013-1 (Pecan), LFY014-1 (Espresso)




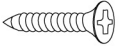
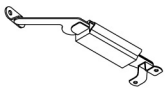
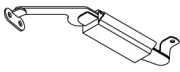

Product Name: Plum Garden Toy Box

### PRE-ASSEMBLY PREPARATION:

- Please check carton for all necessary parts before beginning assembly.
- We recommend two people assemble this unit.
- Keep small parts away from children.
- Adult-only assembly required.

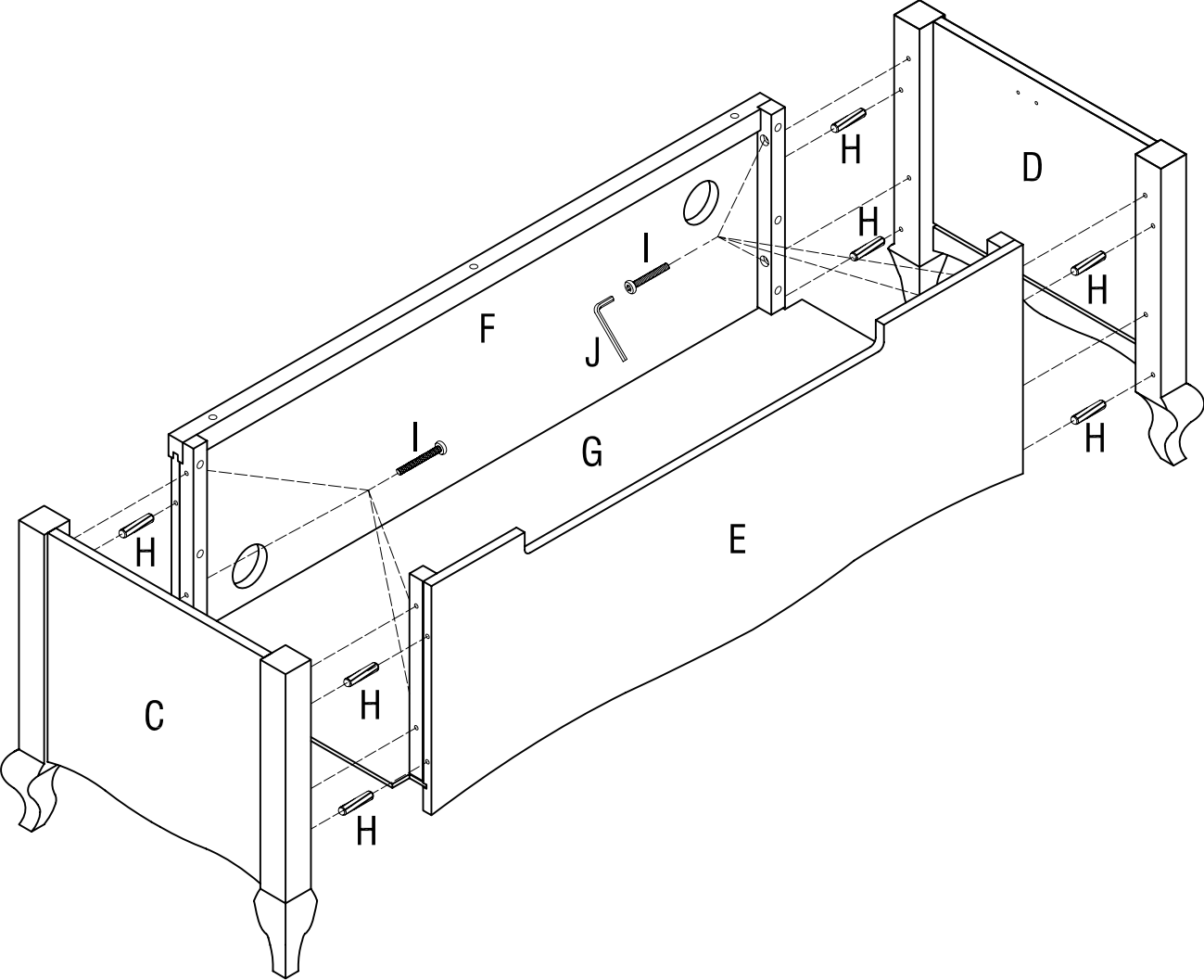
### PARTS IDENTIFICATION

	PARTS	Q'TY
A		1PC
B		1PC
C		1PC
D		1PC
E		1PC
F		1PC
G		1PC

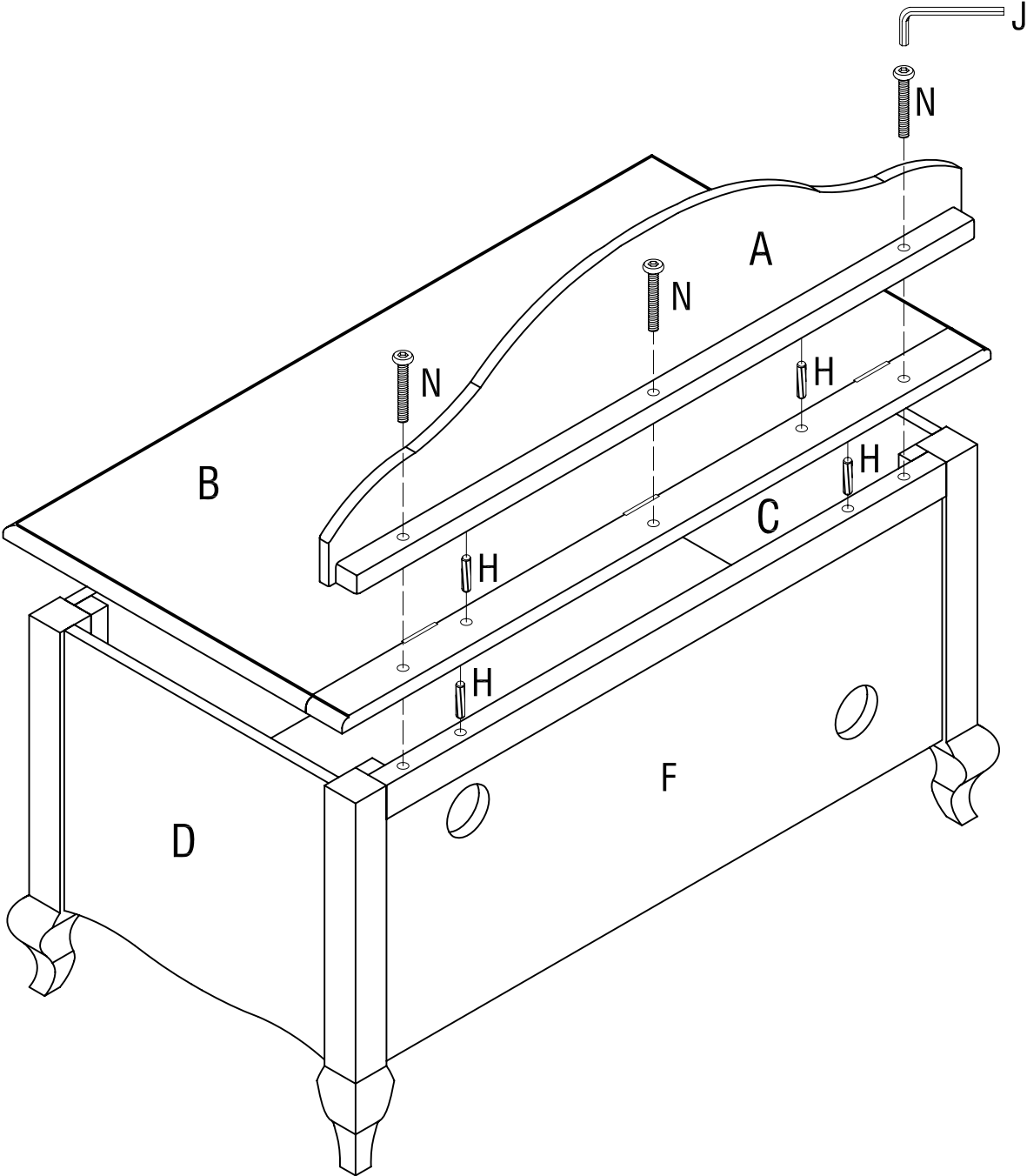
	PARTS	Q'TY
H		12PCS
I		8PCS
J		1PC
K		8PCS
L		1PC
M		1PC
N		3PCS

Step By Step Assembly Instructions

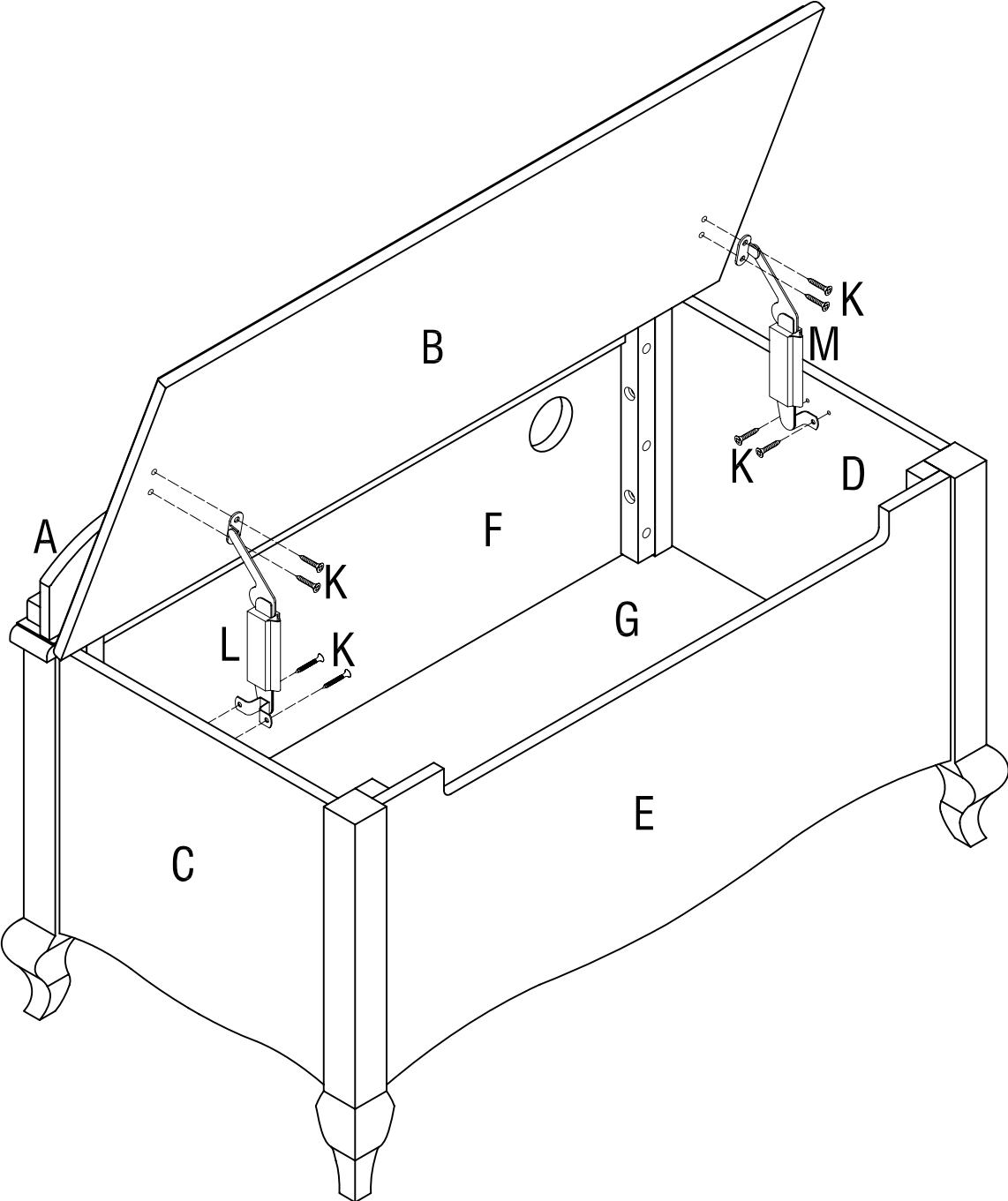
Step 1 :



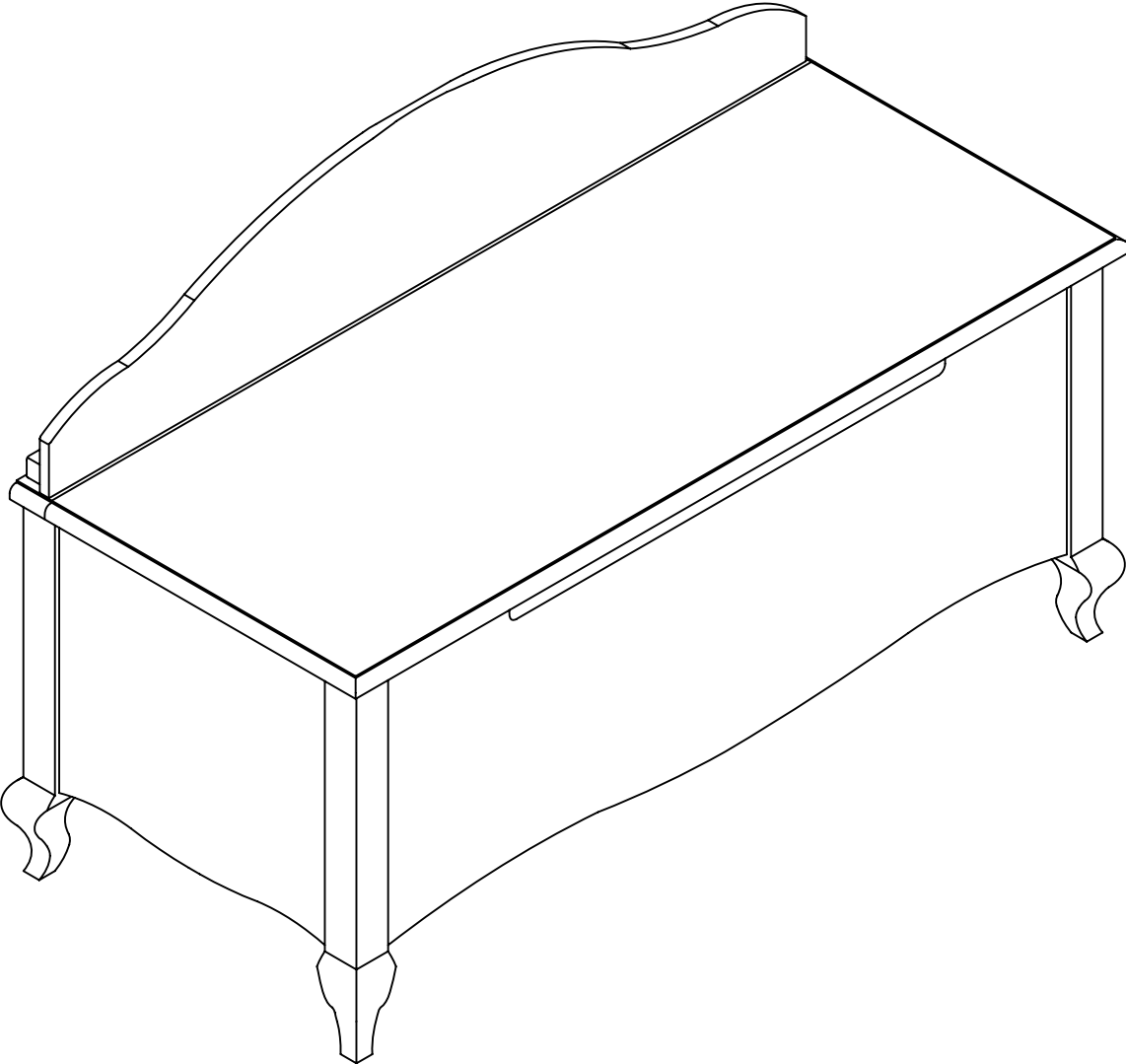
Step 2 :



Step 3 :



Step 4 :



Thank you for your Purchase.