



Assembly Instructions

ITEM # LFY095-1/ LFY096-1/LFY097-1 (Pecan/Antique White/Black)











Morgan Traditional Flip Top Storage Bench









PRE-ASSEMBLY PREPARATION:

Please check all contents of this package before attempting to assemble the product. A full checklist of components is provided. If any components are missing, please contact the retailer from whom you have purchased this product. Read the Assembly Instructions in full before you begin to assemble. Please use CAUTION AND CARE WHEN LIFTING the product to avoid personal injury and (or) damage to the product. For ease of assembly, two people are recommended. The hardware packet contains SMALL ITEMS which should be KEPT AWAY FROM CHILDREN.

Two person assembly recommended.

Panel and Fittings Identifications:

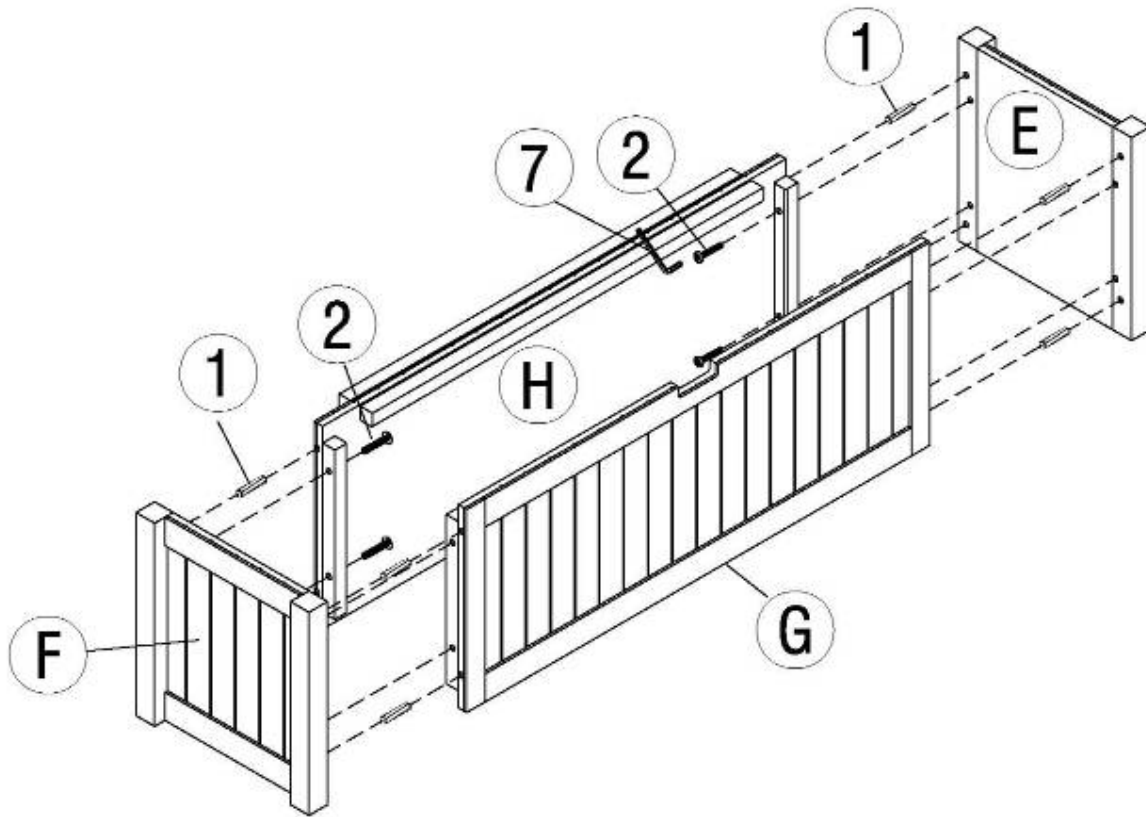
	PARTS	Q'TY
A		1pc
B		1pc
C		1pc
D		1pc
E		1pc
F		1pc
G		1pc
H		1pc
I		1pc
J		4pcs

1		26pcs
2		20pcs
3		8pcs
4		1pc
5		1pc
6		8pcs
7		1pc
8		1pc

Step By Step Assembly Instructions

Step 1:

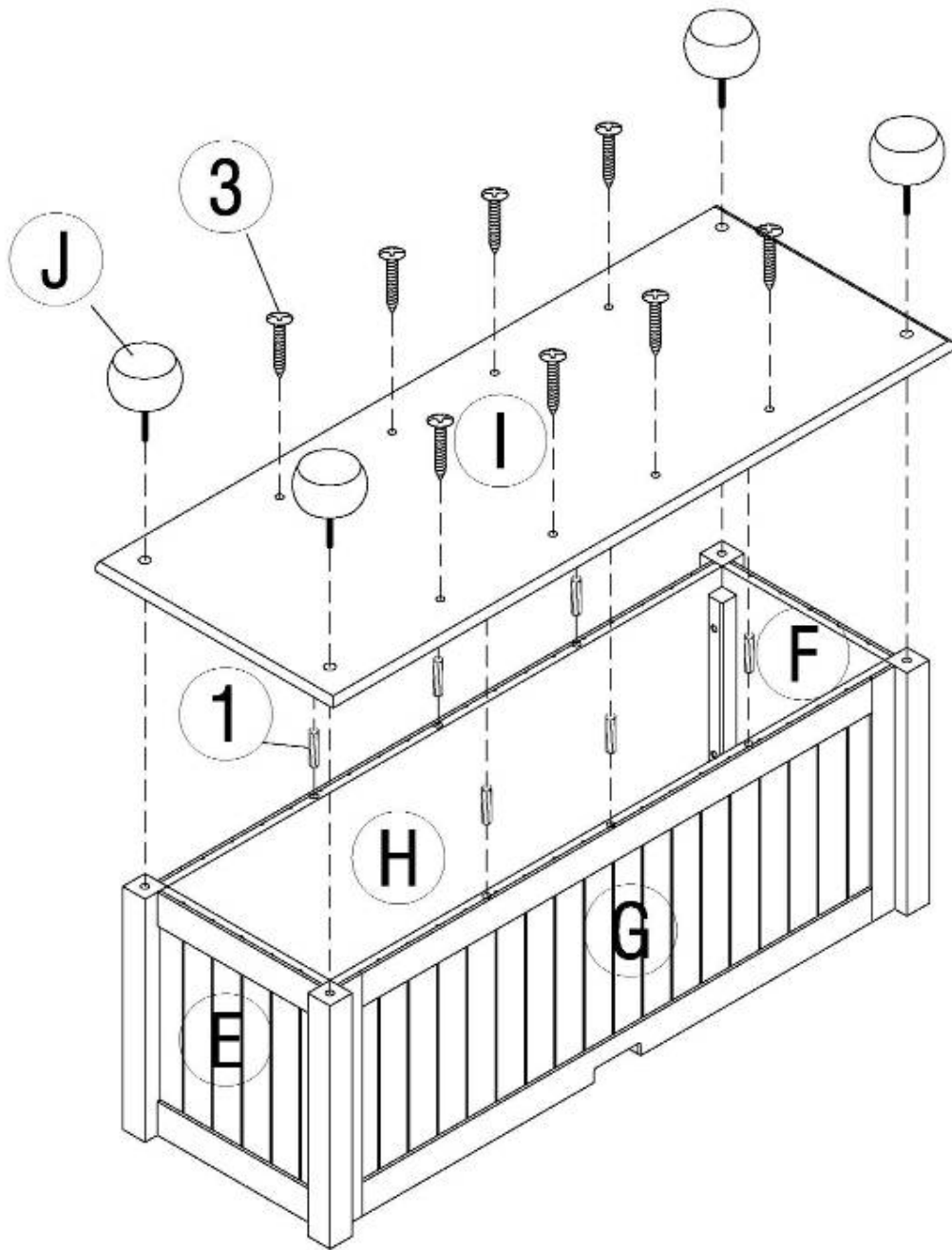
Pre-assemble Panel (E/F) with Dowel (1). Attach Panel (E/F) to panel (G/H) with Bolt (2) by Allen Wrench (7)



Step 2:

Pre-assemble Panel (G/H) with Dowel (1). Attach Bottom Panel (I) to assembled unit with Bolt (3) by a screwdriver

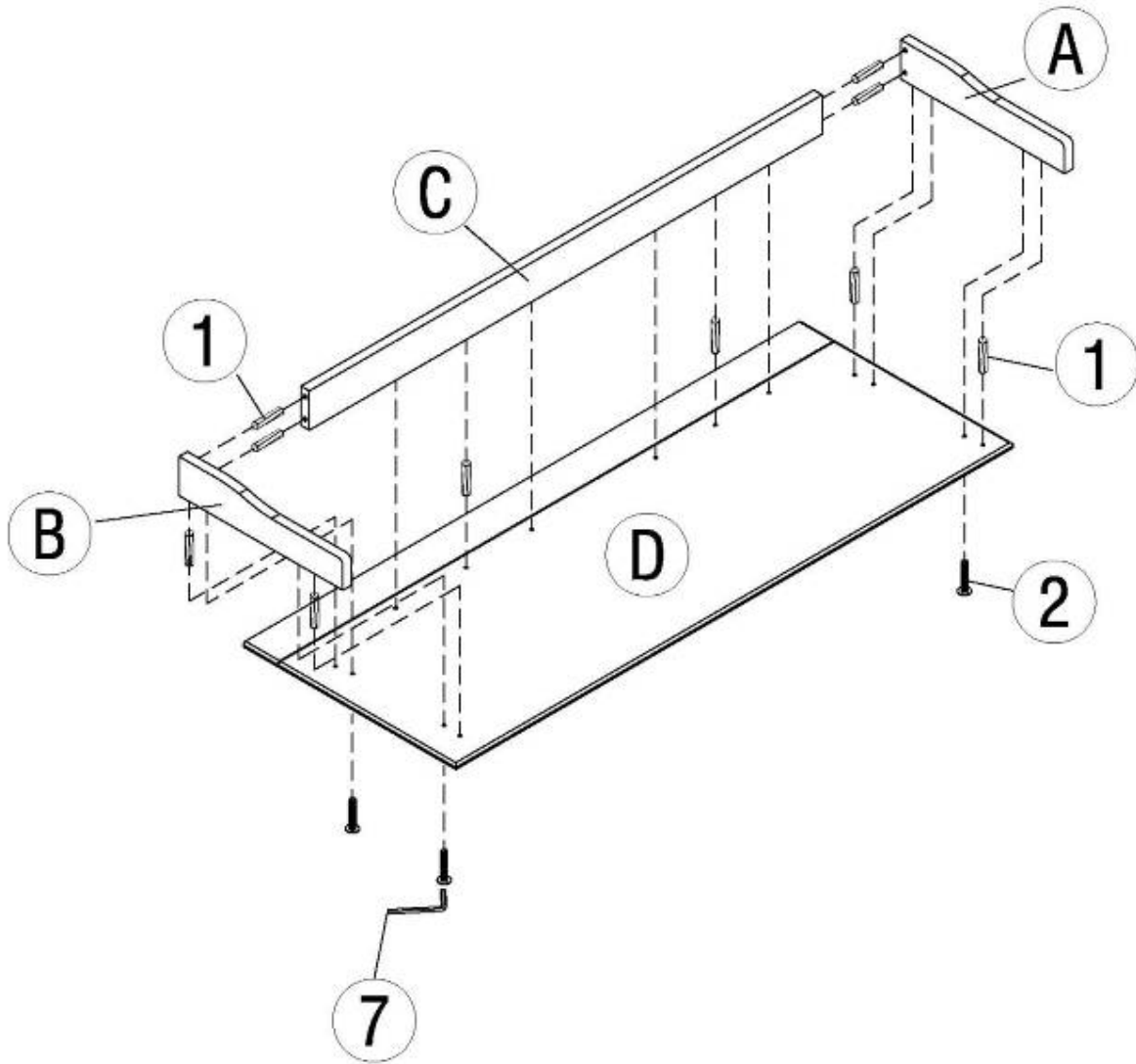
Attach Foot (J) to Bottom Panel (I) with screw as shown



Step 3:

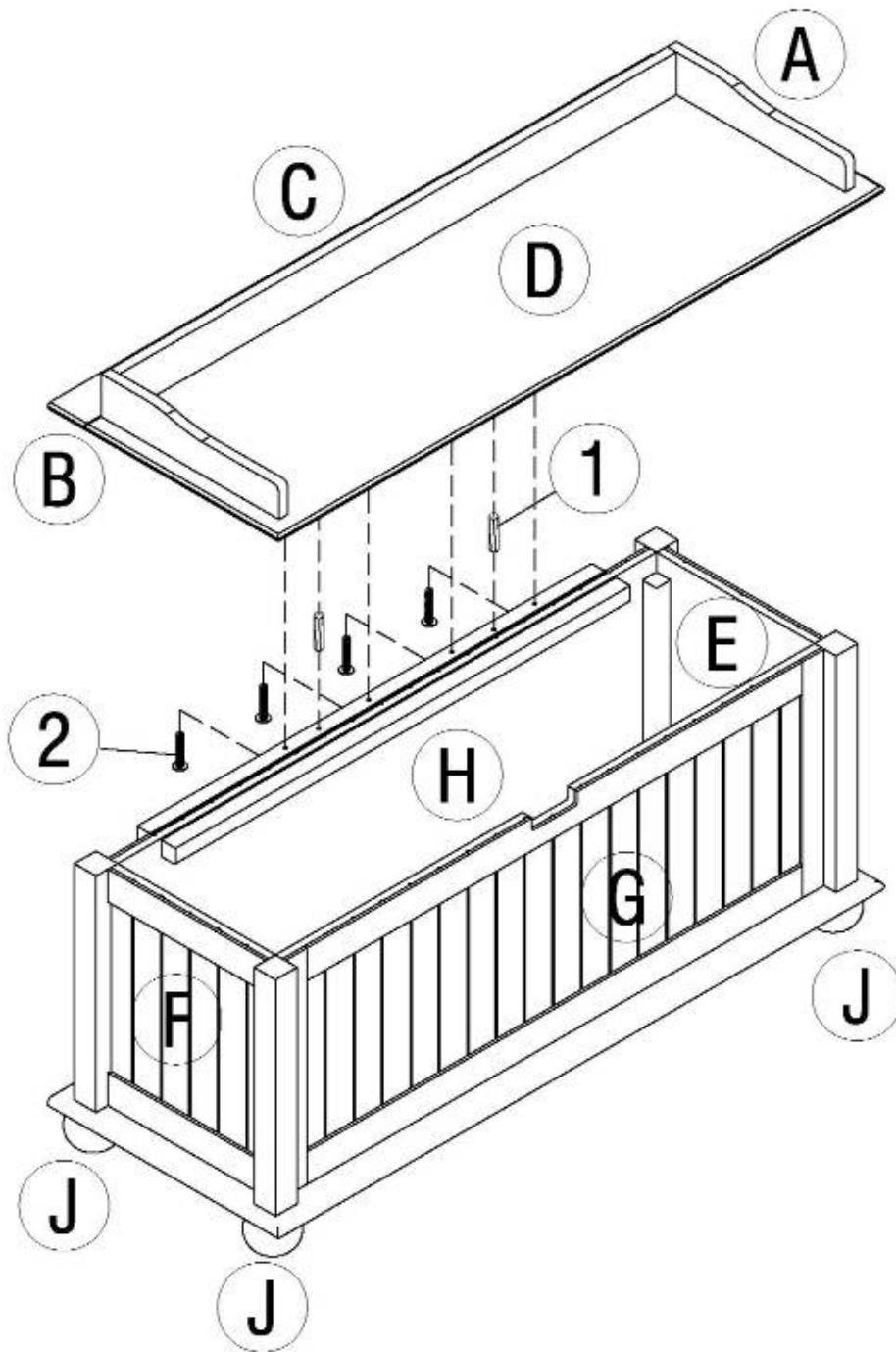
Pre-assemble Stretcher (C) with Dowel (1), Panel (D) with Dowel (1).

Attach Stretcher (A/B) to Stretcher (C), Stretcher (A/B/C) to Panel (D) with Bolt (2) by Allen Wrench (7)



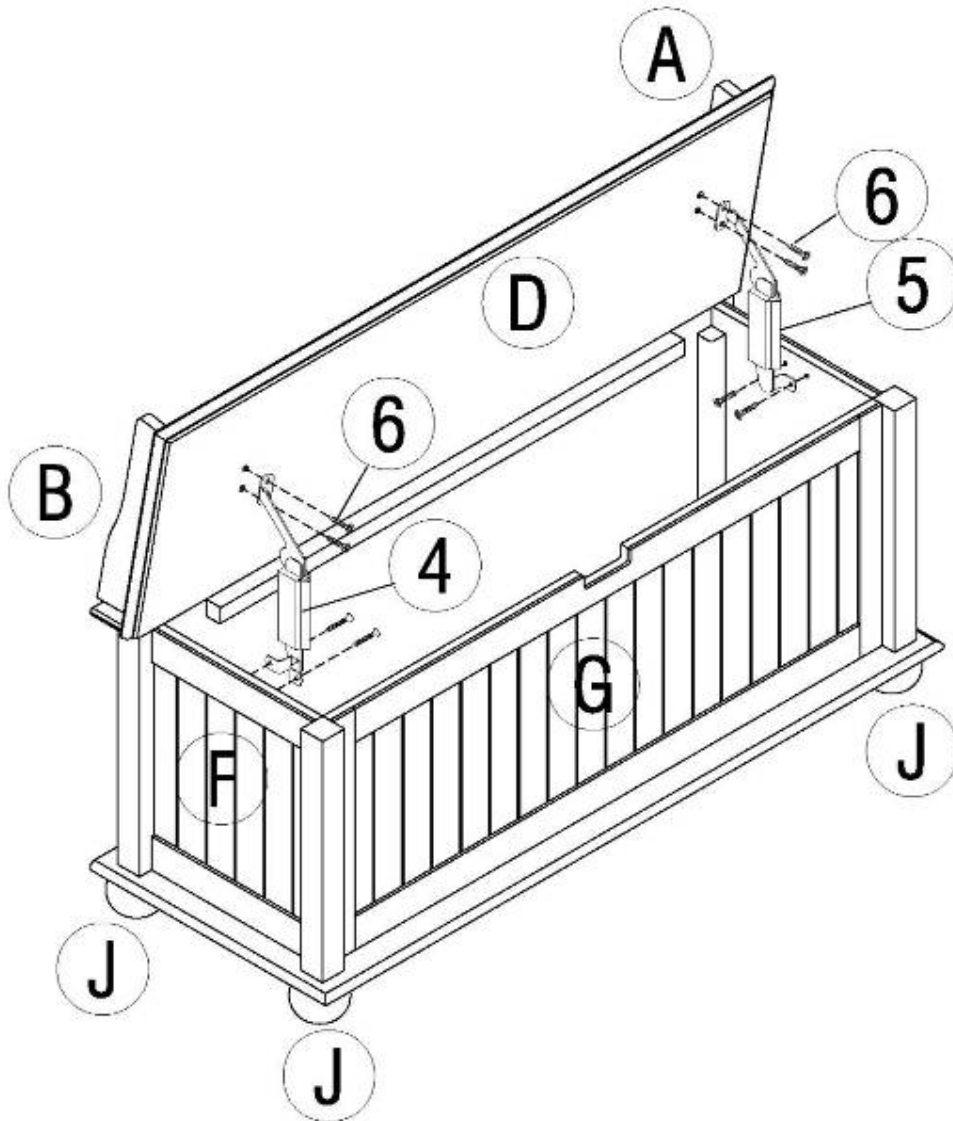
Step 4:

Pre-assemble Panel (H) with Dowel (1). Attach Panel (D) to Panel (H) with Bolt (2) by Allen Wrench (7)



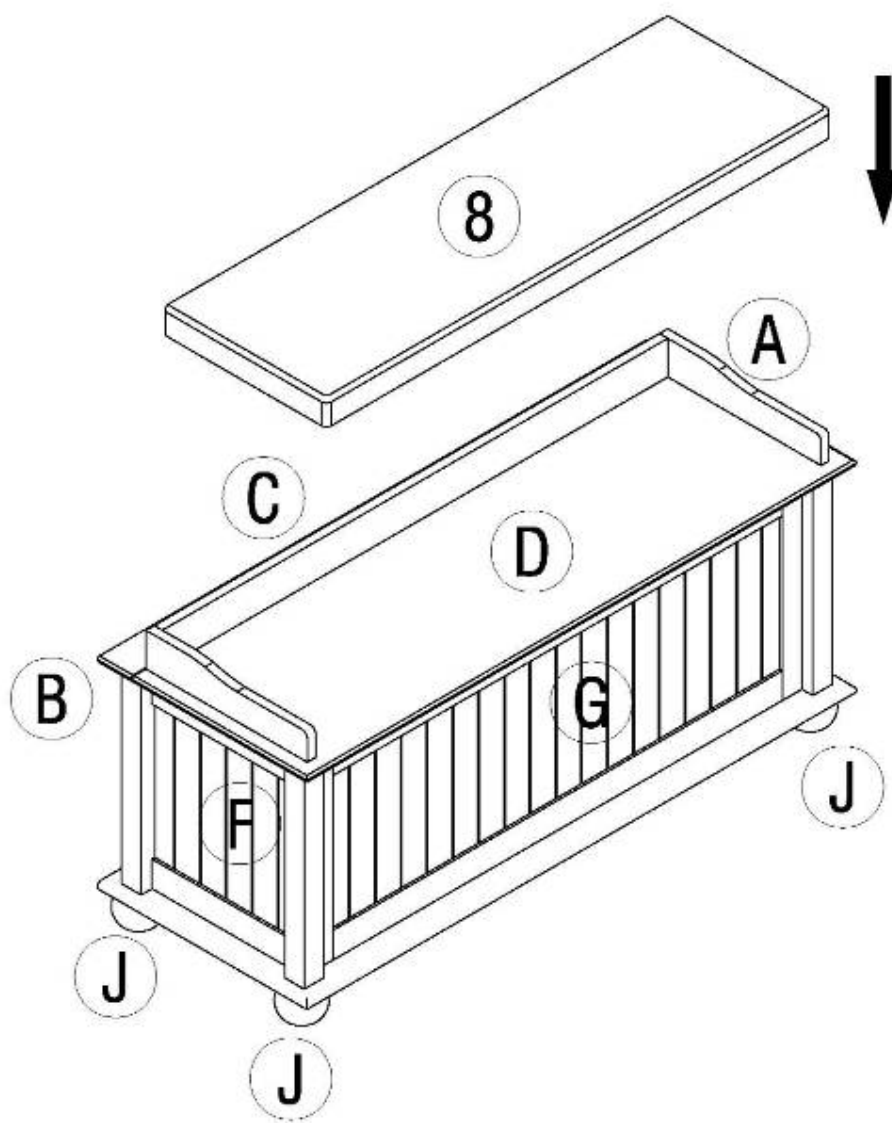
Step 5:

Attach Open support (4/5) to Panel (D/H) with Bolt (6) by a screwdriver as shown



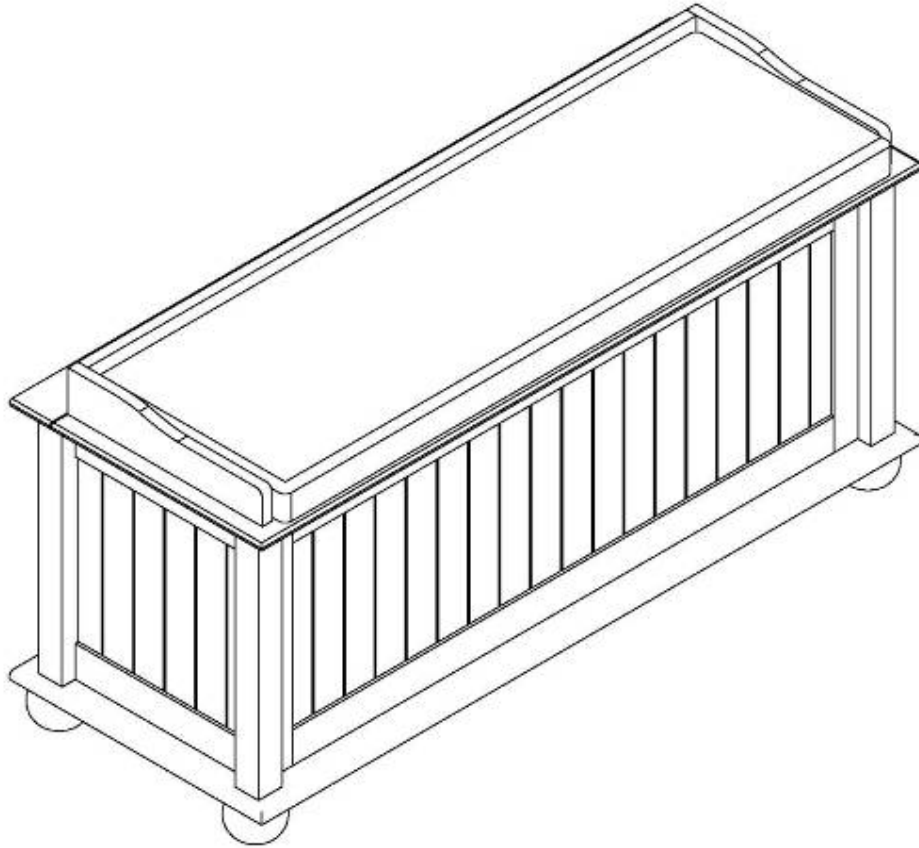
Step 6:

Place Cushion on the Top Panel as shown.



Step 7:

Your New Storage is ready to use now!



Thank you for your Purchase.