

# hayneedle

---



## Assembly Instructions

ITEM # LFY103-1, LFY104-1 (Espresso, Antique White)













### Richland Mini Hall Tree

#### PRE-ASSEMBLY PREPARATION:

Please check all contents of this package before attempting to assemble the product. A full checklist of components is provided. If any components are missing, please contact the retailer from whom you have purchased this product. Read the Assembly Instructions in full before you begin to assemble. Please use CAUTION AND CARE WHEN LIFTING the product to avoid personal injury and (or) damage to the product. For ease of assembly, two people are recommended. The hardware packet contains SMALL ITEMS which should be KEPT AWAY FROM CHILDREN.

**ADULT ASSEMBLY REQUIRED.**

**Panel and Fittings Identification:**

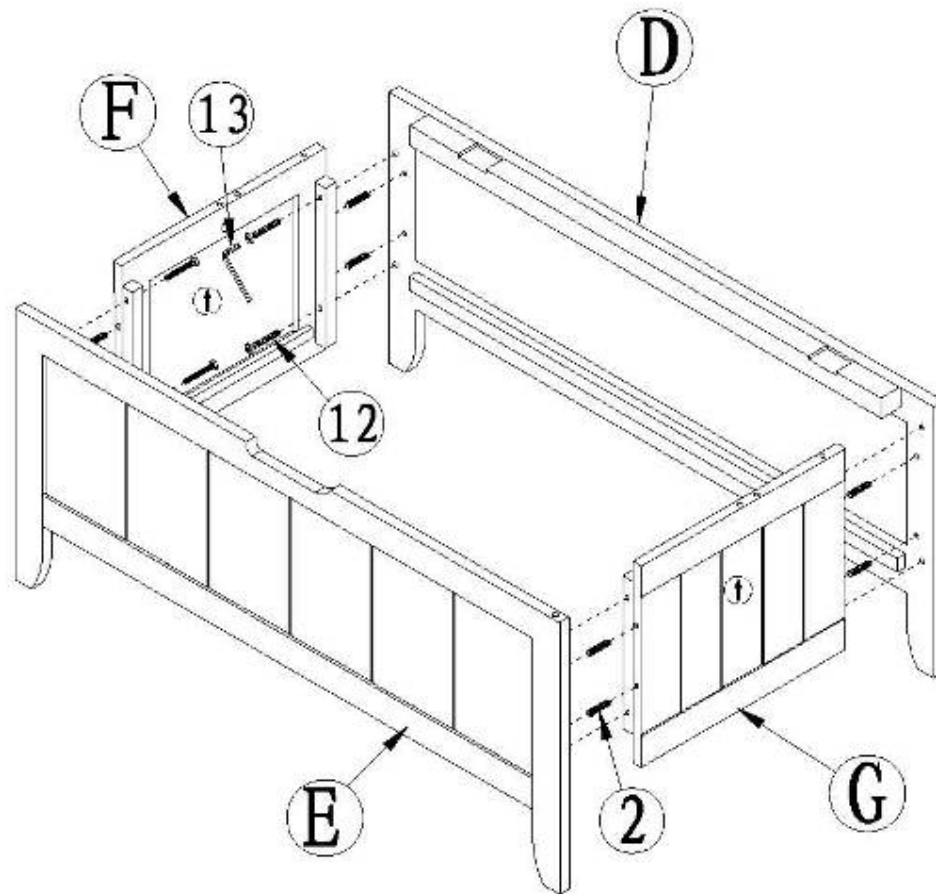
	PARTS	Q'TY
A		1PC
B		1PC
C		1PC
D		1PC
E		1PC
F		1PC
G		1PC
H		1PC
I		1PC
J		1PC
K		1PC
L		2PCS

	PARTS	Q'TY
1		4PCS
2		22PCS
3		2PCS
4		2PCS
5	 $\varnothing 8 \times 4 \times 31 \text{mm}$	21PCS
6	 $\varnothing 8 \times 4 \times 15 \text{mm}$	12PCS
7	 $\varnothing 6 \times 3 \times 15 \text{mm}$	6PCS
8	 $\varnothing 6 \times 3 \times 12 \text{mm}$	3PCS
9	 $\varnothing 7 \times 3 \times 12 \text{mm}$	2PCS
10		3PCS
11		1PC
12		8PCS
13		1PC
14		1PC
15		1set

## Step By Step Assembly Instructions

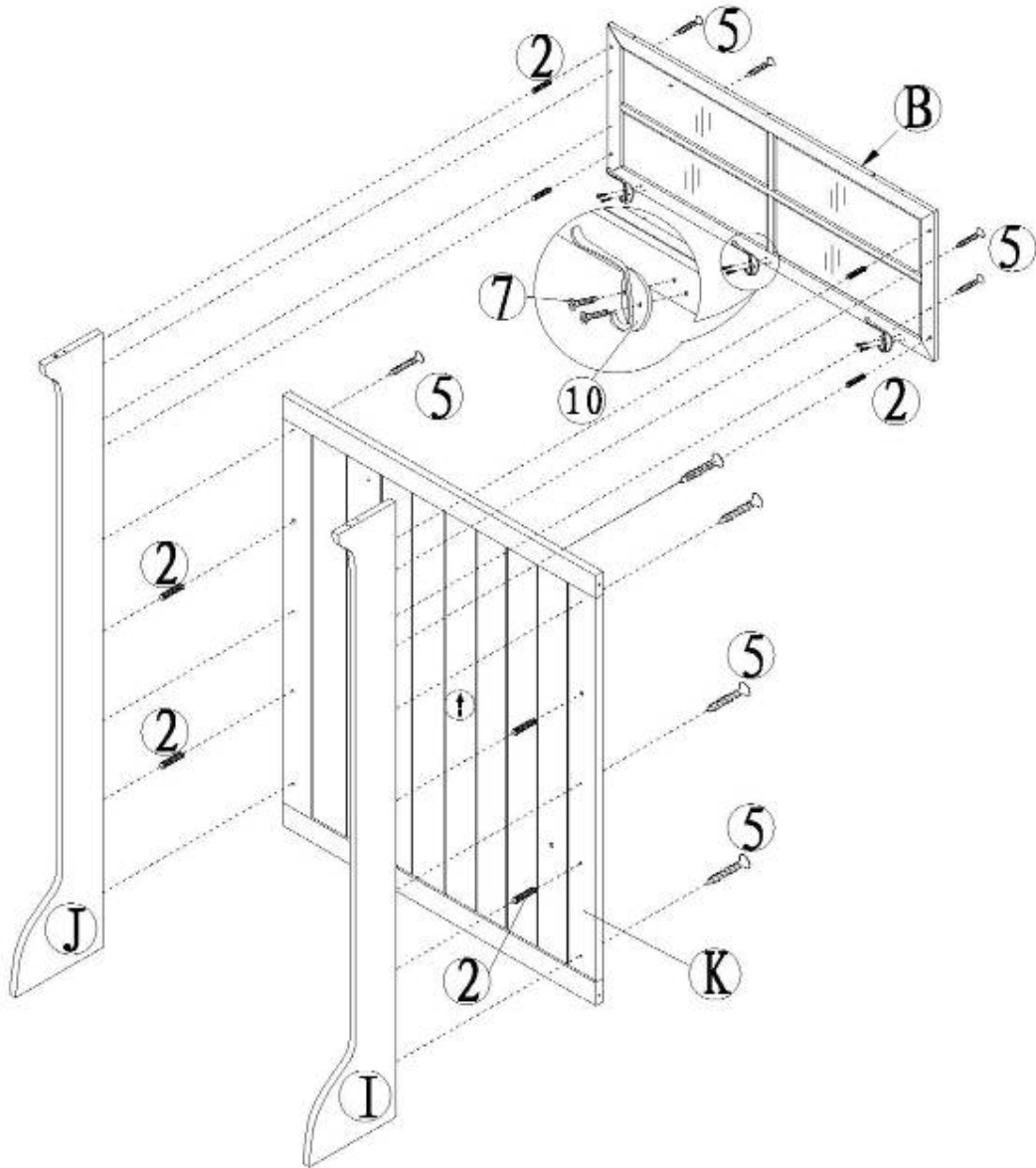
### Step 1:

Insert Dowel (2) to Side Panel (F/G). Assemble Panel (D/E) to Side Panel (F/G) in corresponding position with Bolt (12) by using Allen Key (13) as shown.



## Step 2 :

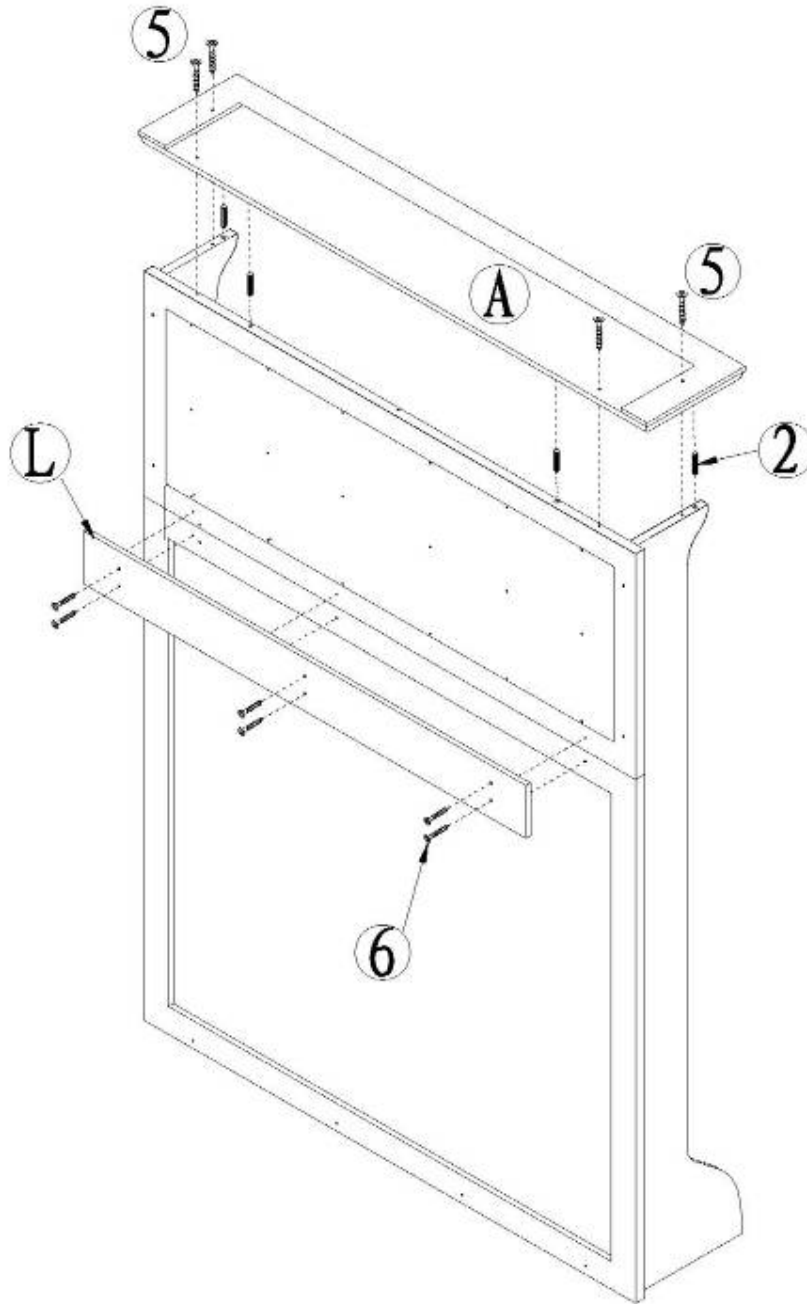
Carefully refer to the corresponding fitting position of screw and dowel as shown. Insert Dowel (2) to Panel (B/K). Assemble Panel (I/J) to Panel (B/K) with Screw (5). Fix Hook (10) to Panel (B) with Screw (7).



### Step 3 :

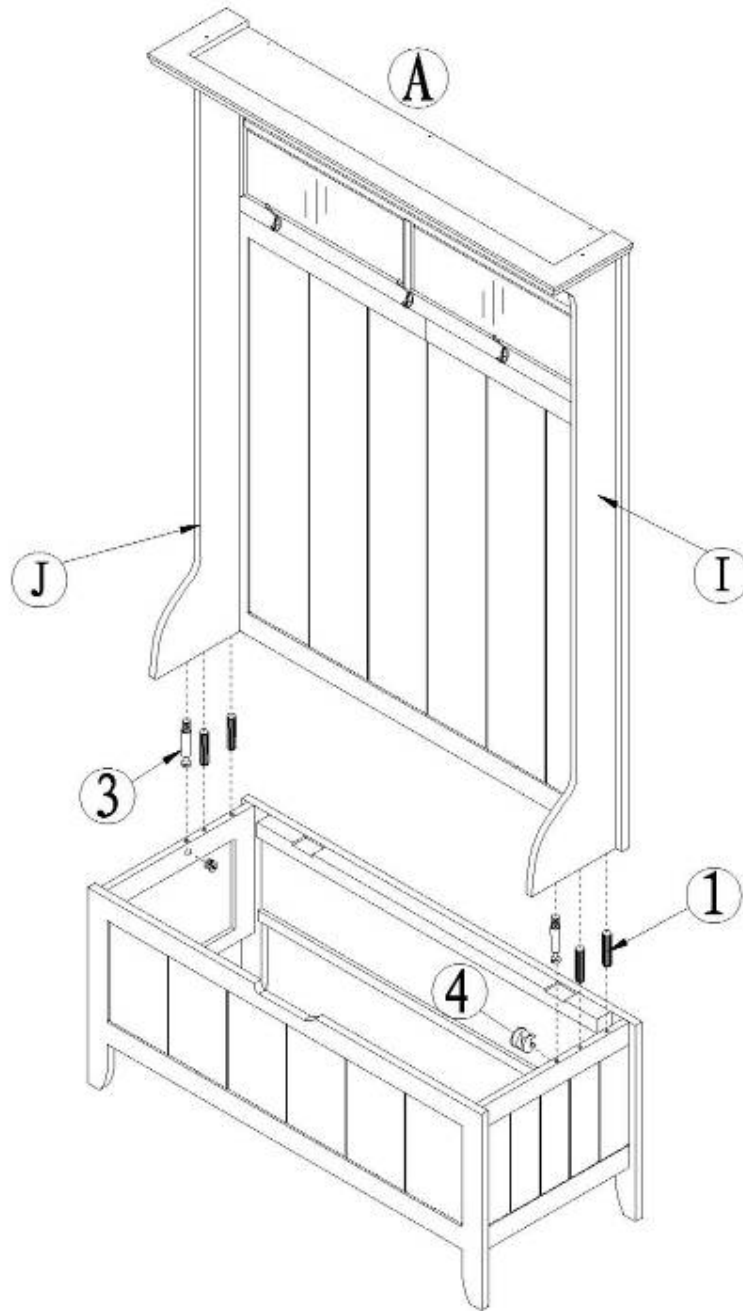
Secure Supporter (L) to the upper unit with Screw (6).

Insert Dowel (2) to upper unit by referring fitting position as shown. Assemble Top panel (A) to upper unit with Screw (5).



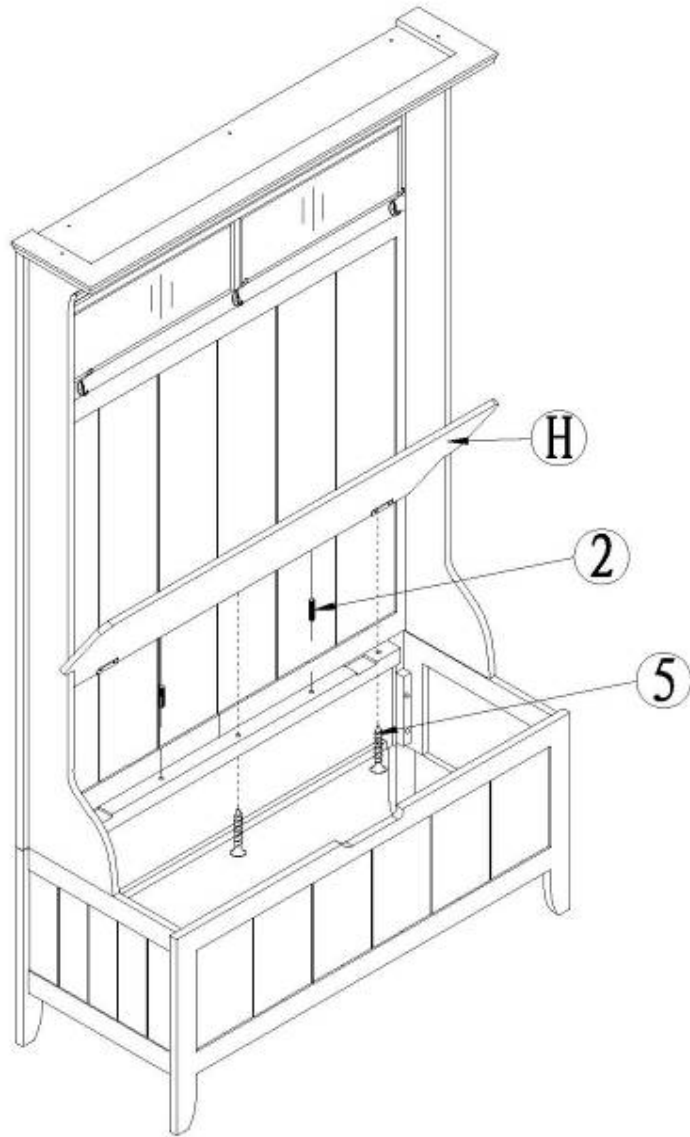
## Step 4 :

Secure Cam shaft (3) to Panel (I/J). Insert Dowel (1) to lower case. Secure upper unit to lower case with Cam lock (4) clockwise by referring fitting position as shown.



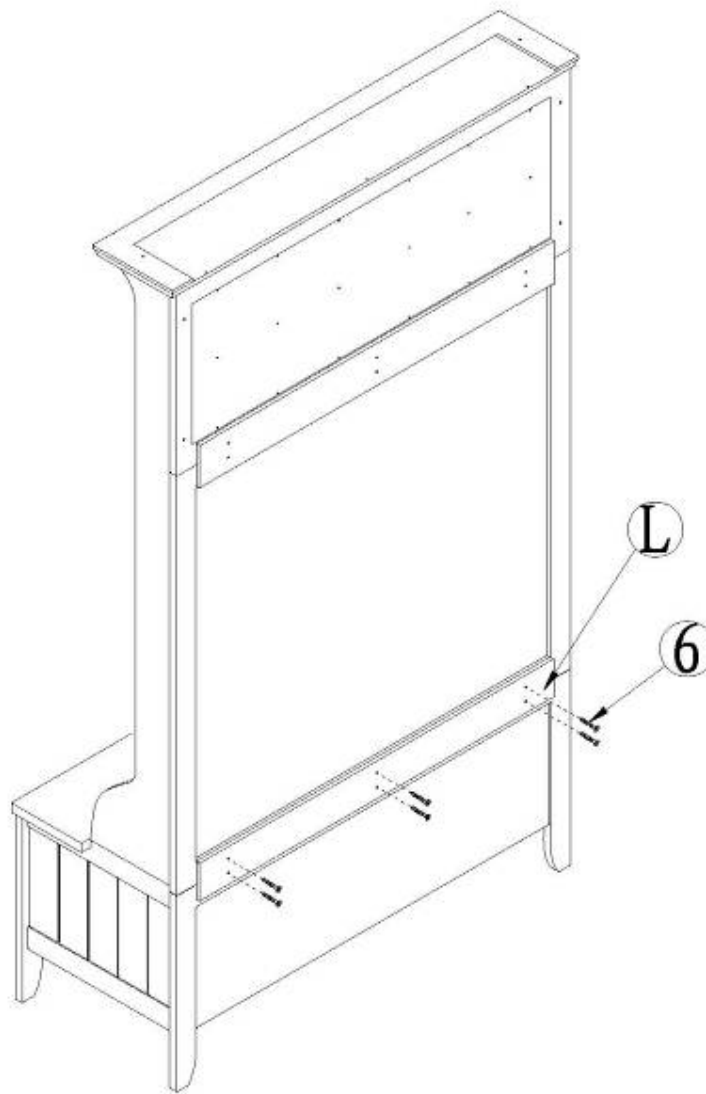
## Step 5 :

Insert Dowel (2) to lower case as shown. Secure Lid (H) to lower case with Screw (5).



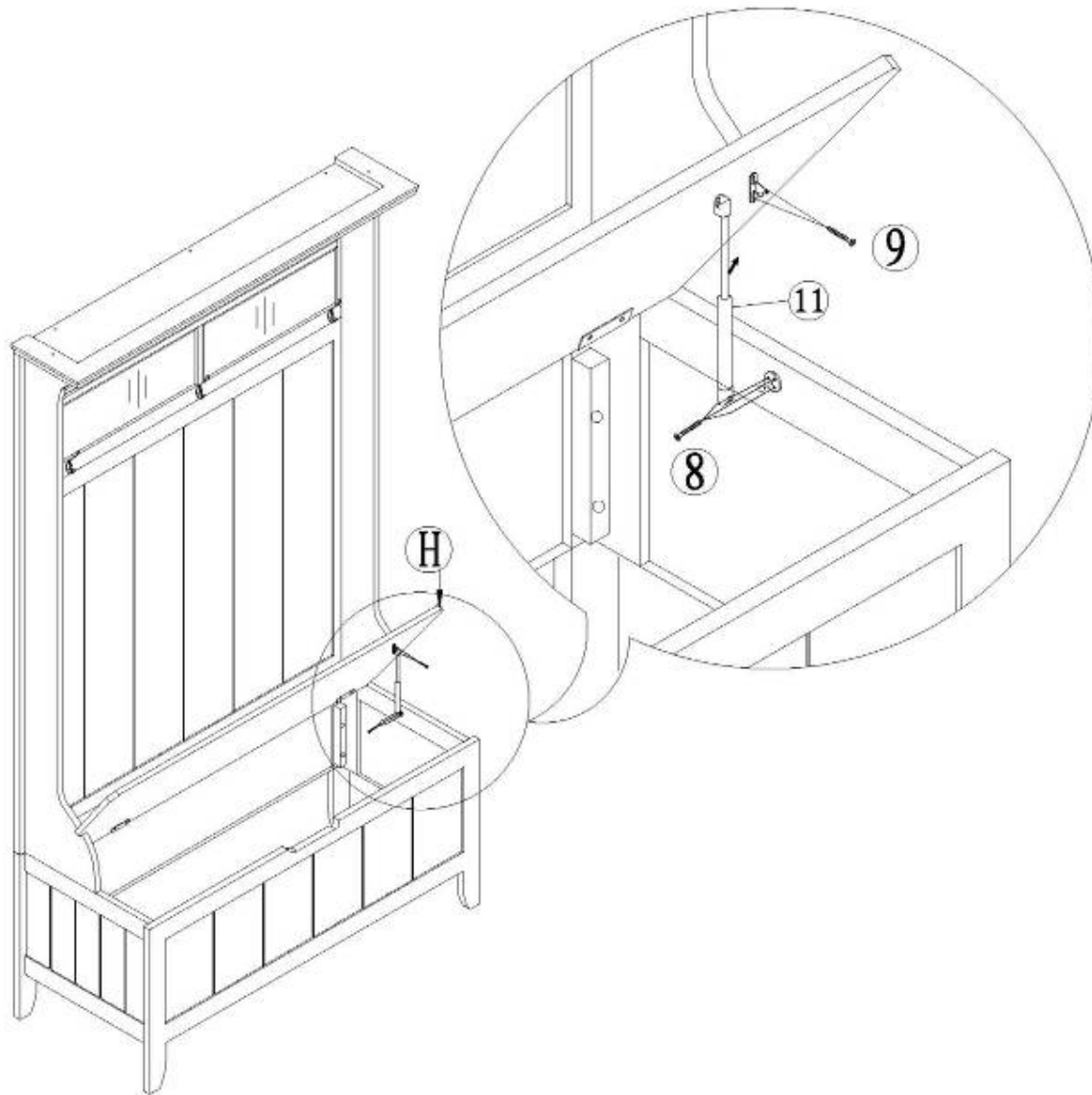
## Step 6 :

Secure Supporter (L) to lower case with Screw (6).



## Step 7 :

Install Stay Hinge (9) with Screw (7).

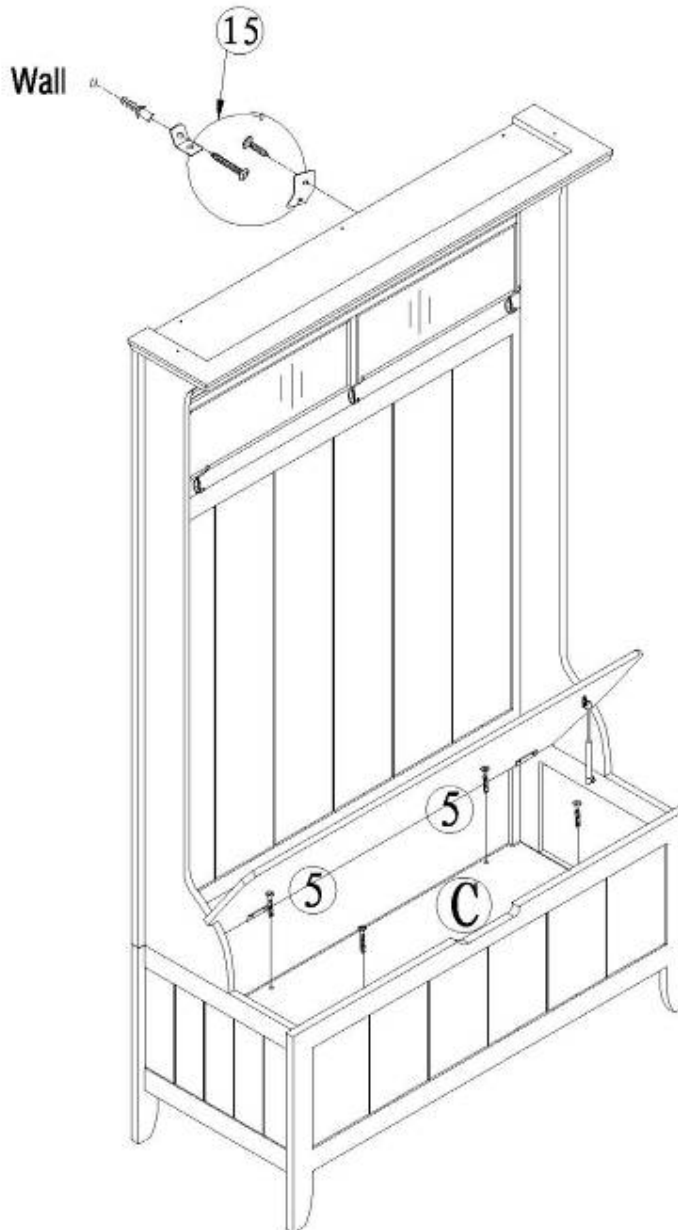


## Step 8 :

Place Shelf ( C ) into lower case as shown.

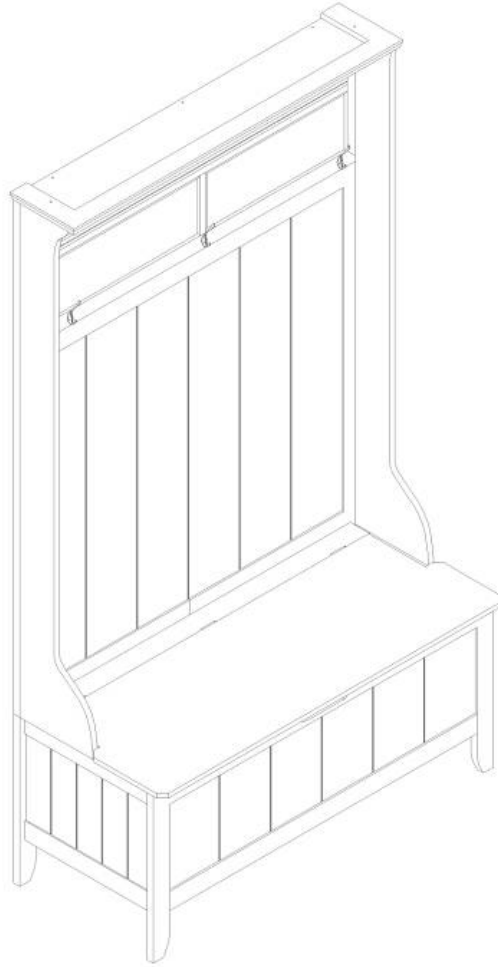
Fix Shelf ( C ) with Screw ( 5 ).

1. Attach one of the mounting brackets near the top back edge of the furniture piece and insert the shorter screw.
2. Mark location on the wall approximately 2" below the bracket mounted to the back of the furniture.
3. Drill a starter hole into a wall stud and insert plastic anchor, and gently tap the anchor until the flange of the anchor is flush with the wall.
4. Attach the second bracket by inserting the longer screw through the bracket and into the wall.
5. Place the furniture so the bracket on the back edge is in line with the bracket on the wall.
6. Lace the end of the nylon restraint strap down through each bracket. Bring both ends together and slide the beaded end until it snap locks into the keyhole slot.
7. Make sure the strap is securely laced and locked to the brackets.



**Step 9 :**

Your Mini Hall Tree is ready to use now.



**Thank you for your Purchase**